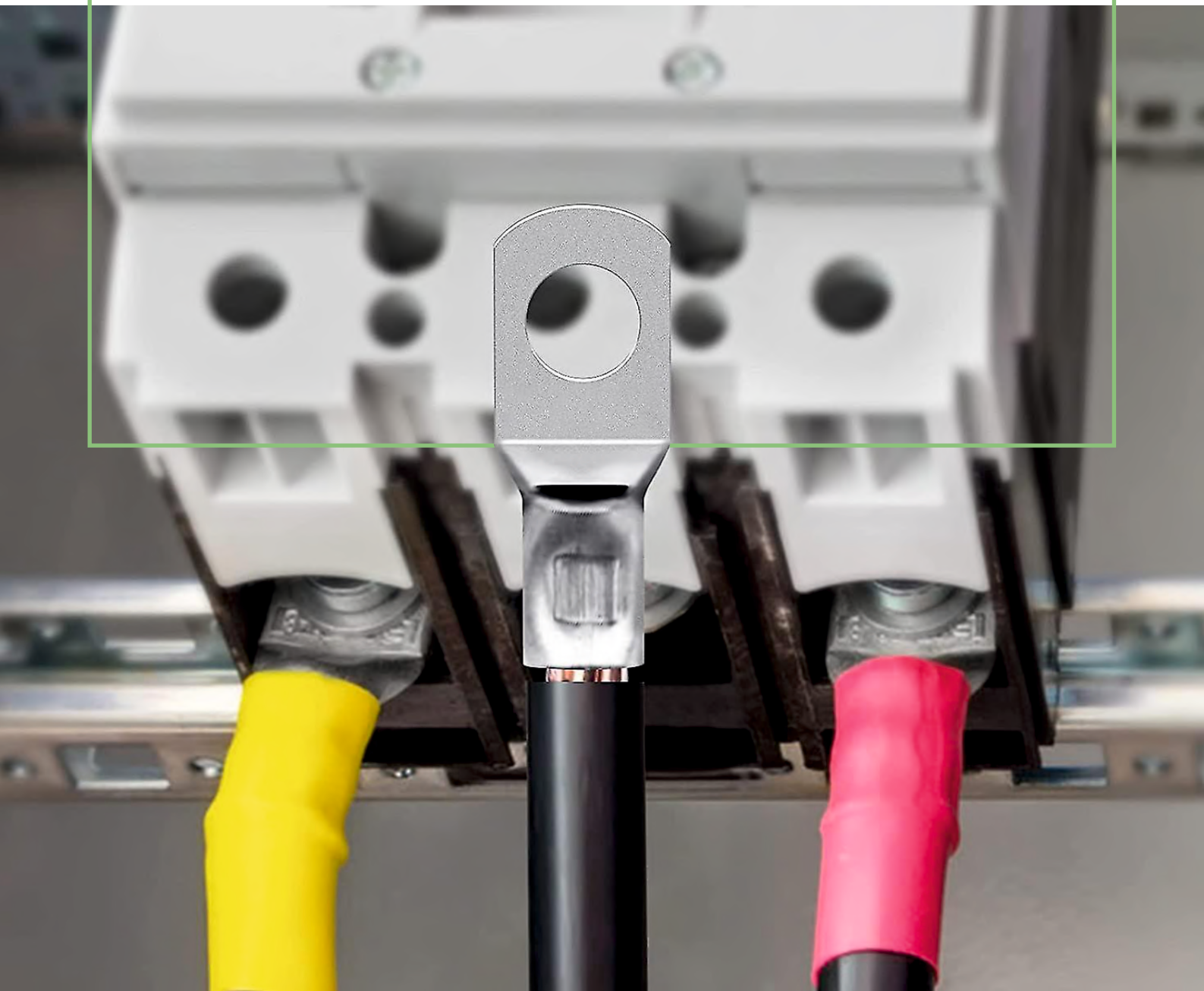


Commitment of Quality

LUGS AND CONNECTORS

ATTENTION TO QUALITY



INDEX

COPPER CABLE LUGS

COPPER CRIMPING TERMINALS WITH INSPECTION HOLE (HEAVY DUTY)	35 TO 38
COPPER LUGS - LONG BARREL	39
COPPER TUBE IN-LINE CONNECTORS - COPPER FERRULES - HEAVY DUTY	40
BIMETALLIC LUGS - FRICTION WELDED	41
ALUMINIUM LUGS - SHORT BARREL	42
ALUMINIUM LUGS - LONG BARREL	43
ALUMINIUM CONNECTORS	44
COPPER CRIMPING RING TERMINALS (NON INSULATED AND INSULATED)	45 TO 46
COPPER CRIMPING PIN TERMINALS (NON-INSULATED AND INSULATED)	47
COPPER CRIMPING FORK TERMINALS (NON-INSULATED AND INSULATED)	48
COPPER CRIMPING END SEALING INSULATED FERRULES (BOOTLACE)	49
COPPER CRIMPING END SEALING FERRULES - FOR TWIN CABLE (BOOTLACE) ..	50

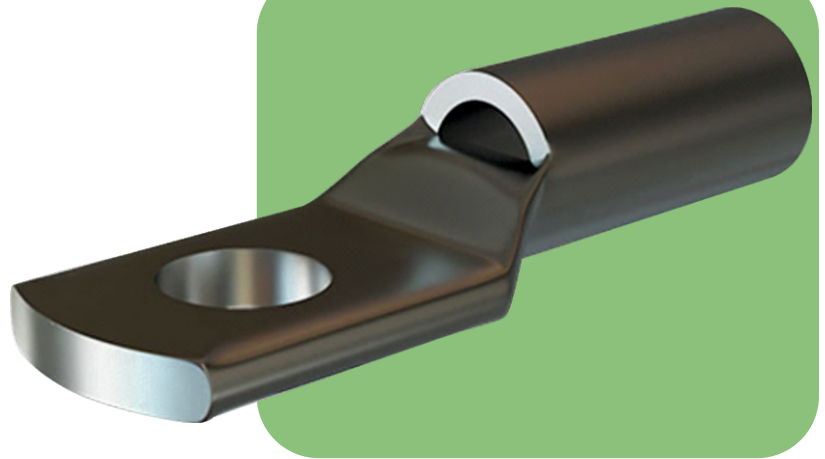
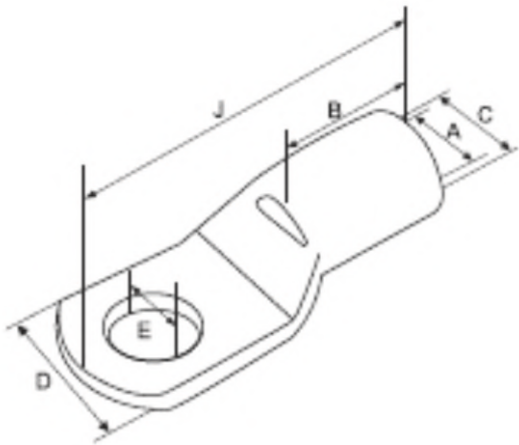
PVC STRIP CONNECTORS

PVC STRIP CONNECTORS	51
----------------------------	----

COPPER CRIMPING TERMINALS WITH INSPECTION HOLE (HEAVY DUTY)

Material : Copper BS : 1977

Finish : Electro Tinned

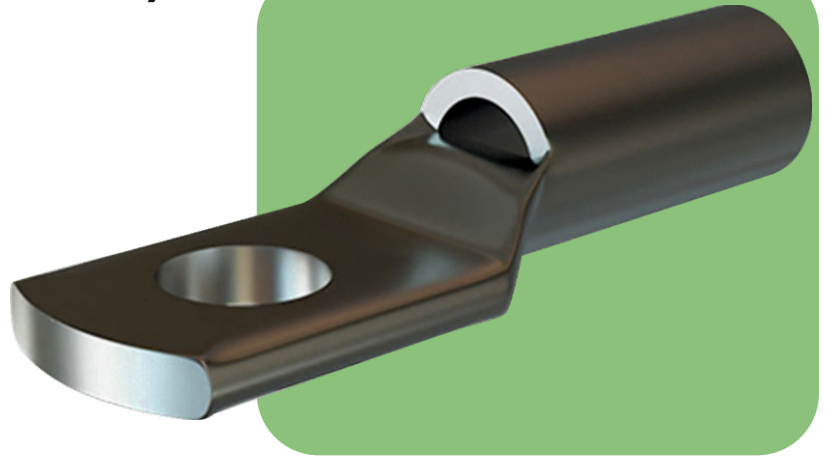
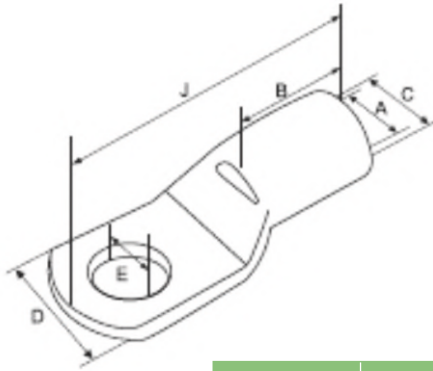


Size Sq.mm	Dimensions						Code No
	E	A	C	D	B	J	
1.5	4.2	1.8	3.7	8	5	16	1.5-4 JCT-711
	5.2	1.8	3.7	8	5	16	1.5-5 JCT-538
	6.4	1.8	3.7	9	5	18	1.5-6 JCT-539
	8.4	1.8	3.7	12	5	22	1.5-8
2.5	4.2	2.4	4	8	7	18	2.5-4 JCT-388
	5.2	2.4	4	9	7	20	2.5-5 JCT-540
	6.5	2.4	4	10	7	20	2.5-6 JCT-541
	8.4	2.4	4	11.5	7	26	2.5-8 JCT-762
4	4.2	3.1	4.8	8	7	20	4-4 JCT-764
	5.2	3.1	4.8	9	7	20	4-5 JCT-389
	6.5	3.1	4.8	10	7	20	4-6 JCT-543
	8.4	3.1	4.8	11.5	7	25	4-8 JCT-763
6	4.2	3.8	5.5	9	9	23	6-4
	5.2	3.8	5.5	10	9	23	6-5 JCT-390
	6.5	3.8	5.5	12	9	26	6-6 JCT-544
	8.4	3.8	5.5	12	9	26	6-8 JCT-545
	10.5	3.8	5.5	15	9	32	6-10 JCT-854
10	5.2	4.5	6.2	10	9	26	10-5 JCT-822
	6.5	4.5	6.2	11	9	26	10-6 JCT-353
	8.4	4.5	6.2	12	9	26	10-8 JCT-547
	10.5	4.7	7.1	14	10	32	10-10 JCT-855
	12.7	4.7	7.1	17	10	33	10-12 JCT-856

COPPER CRIMPING TERMINALS WITH INSPECTION HOLE (HEAVY DUTY)

Material : Copper BS : 1977

Finish : Electro Tinned

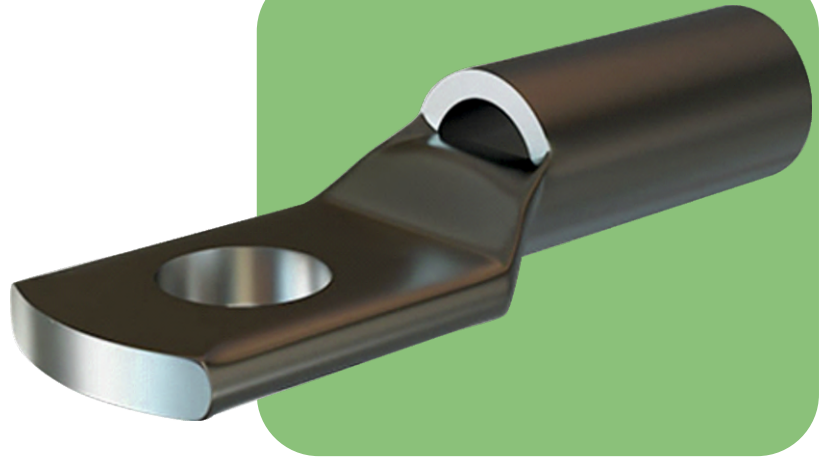
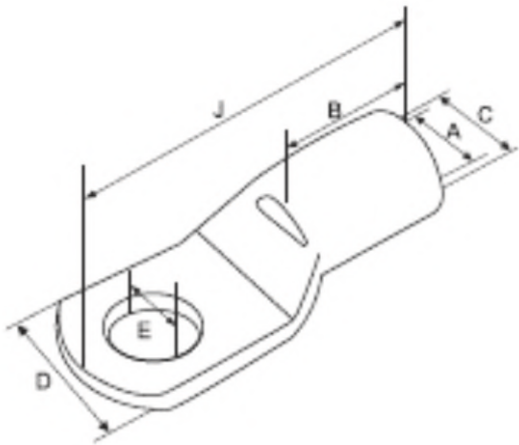


Size Sq.mm	Dimensions						Code No
	E	A	C	D	B	J	
16	5.2	5.4	7.1	10	12	30	16-5 JCT-696
	6.4	5.4	7.1	11	12	30	16-6 JCT-354
	8.4	5.4	7.1	12	12	31	16-8 JCT-549
	10.5	5.5	7.9	14.5	13	35	16-10 JCT-657
	12.7	5.5	7.9	17	13	40	16-12 JCT-858
	16.5	5.5	7.9	22	13	40	16-16
25	6.4	6.8	8.8	13	12	32	25-6 JCT-355
	8.4	6.8	8.8	13	12	32	25-8 JCT-551
	10.5	6.8	8.8	16	12	38	25-10 JCT-552
	12.7	6.8	8.8	16.5	12	40	25-12 JCT-765
	16.5	6.8	8.8	24	13	45	25-16
35	6.5	8.2	10.6	15.3	12	35	35-6 JCT-542
	8.4	8.2	10.6	15.3	12	35	35-8 JCT-356
	10.5	8.2	10.6	16	12	38	35-10 JCT-554
	12.7	8.2	10.6	17	15	42	35-12 JCT-853
	16.5	8.2	10.6	24	14	50	35-16
50	6.5	9.5	12.4	18	16	43	50-6 JCT-746
	8.4	9.5	12.4	18	16	43	50-8 JCT-357
	10.5	9.5	12.4	18	16	43	50-10 JCT-556
	12.7	9.5	12.4	18	16	43	50-12 JCT-698
	15	9.5	12.4	20	17	49	50-14
	17	9.5	12.4	24	18	54	50-16 JCT-699
	21	9.5	12.4	30	18	54	50-20
70	6.4	11.2	14.7	21	18	50	70-6 JCT-748
	8.4	11.2	14.7	21	18	50	70-8 JCT-557
	10.5	11.2	14.7	21	18	50	70-10 JCT-358
	13	11.2	14.7	21	18	50	70-12 JCT-559
	15	11.2	14.7	25	20	55	70-14 JCT-795
	17	11.2	14.7	25	20	55	70-16 JCT-780
	21	11.2	14.7	26	20	55	70-20 JCT-781

COPPER CRIMPING TERMINALS WITH INSPECTION HOLE (HEAVY DUTY)

Material : Copper BS : 1977

Finish : Electro Tinned

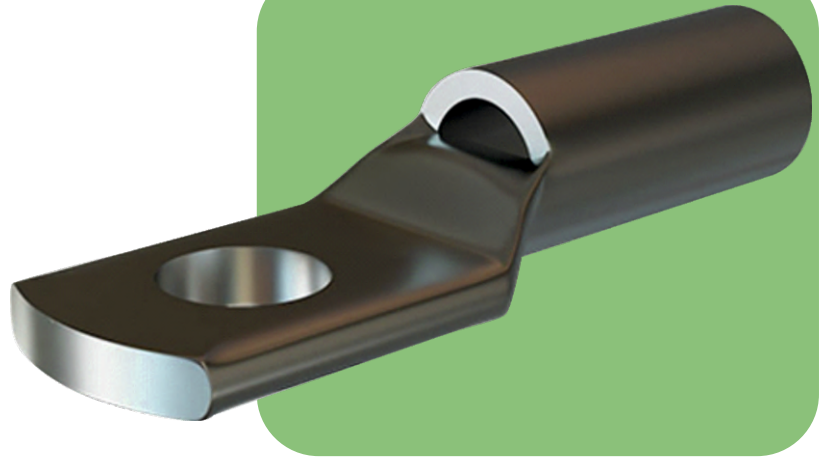
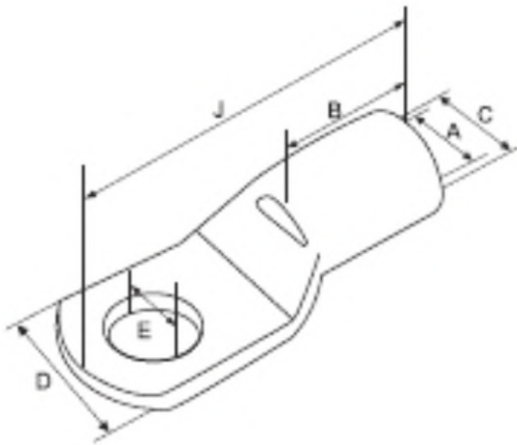


Size Sq.mm	Dimensions						Code No
	E	A	C	D	B	J	
95	6.4	13.5	17.4	25	20	55	95-6
	8.4	13.5	17.4	25	20	55	95-8 JCT-752
	10.5	13.5	17.4	25	20	55	95-10 JCT-359
	13	13.5	17.4	25	20	55	95-12 JCT-561
	15	13.5	17.4	26	20	55	95-14 JCT-796
	17	13.5	17.4	26	22	60	95-16 JCT-672
	21	13.5	17.4	28	22	64	95-20 JCT-673
120	6.4	15	19.4	28	22	64	120-6
	8.5	15	19.4	28	22	64	120-8 JCT-782
	10.5	15	19.4	28	22	64	120-10 JCT-700
	12.7	15	19.4	28	22	64	120-12 JCT-241
	15	15	19.4	28	22	64	120-14 JCT-797
	17	15	19.4	28	22	64	120-16 JCT-546
	21	15	19.4	28	22	64	120-20 JCT-798
150	8.4	16.5	21.2	30	26	69	150-8 JCT-783
	10.5	16.5	21.2	30	26	69	150-10 JCT-676
	12.7	16.5	21.2	30	26	69	150-12 JCT-242
	15	16.5	21.2	30	26	69	150-14 JCT-799
	17	16.5	21.2	30	26	69	150-16 JCT-564
	21	16.5	21.2	30	26	69	150-20 JCT-565
185	8.5	18.5	23.5	34	32	78	185-8
	10.5	18.5	23.5	34	32	78	185-10 JCT-652
	12.7	18.5	23.5	34	32	78	185-12 JCT-639
	15	18.5	23.5	34	32	78	185-14 JCT-800
	17	18.5	23.5	34	32	78	185-16 JCT-243
	21	18.5	23.5	34	32	78	185-20 JCT-704

COPPER CRIMPING TERMINALS WITH INSPECTION HOLE (HEAVY DUTY)

Material : Copper BS : 1977

Finish : Electro Tinned

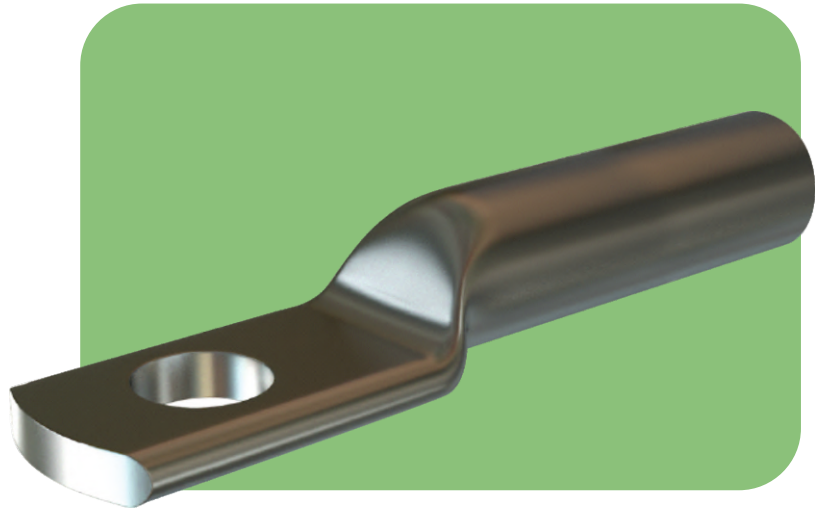
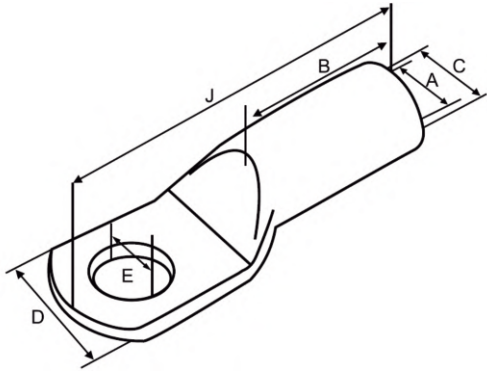


Size Sq.mm	Dimensions						Code No
	E	A	C	D	B	J	
240	8.5	21	26.5	38	38	92	240-8
	10.5	21	26.5	38	38	92	240-10 JCT-787
	12.7	21	26.5	38	38	92	240-12 JCT-705
	15	21	26.5	38	38	92	240-14 JCT-801
	17	21	26.5	38	38	92	240-16 JCT-244
	21	21	26.5	38	38	92	240-20 JCT-567
300	10.5	23.5	30	43	42	101	300-10 JCT-568
	12.7	23.5	30	43	42	101	300-12 JCT-597
	15	23.5	30	43	42	101	300-14 JCT-802
	17	23.5	30	43	42	101	300-16 JCT-245
	21	23.5	30	43	42	101	300-20 JCT-569
400	10.5	26.8	34.8	50	44	114	400-10
	13	26.8	34.8	50	44	114	400-12
	15	26.8	34.8	50	44	114	400-14
	17	26.8	34.8	50	44	114	400-16 JCT-246
	21	26.8	34.8	50	44	114	400-20 JCT-571
500	13	30	39	56	48	124	500-12
	17	30	39	56	48	124	500-16 JCT-596
	21	30	39	56	48	124	500-20 JCT-247
630	-	35	45	65	56	144	630BL JCT-761
	17	35	45	65	56	144	630-16 JCT-807
	21	35	45	65	56	144	630-20 JCT-248
800	-	39	50.6	73	78	170	800BL JCT-599
	21	39	50.6	73	78	170	800-20 JCT-808
1000	-	43	53.7	81	90	200	1000BL JCT-590
	21	43	53.7	81	90	200	1000-20 JCT-809

COPPER LUGS - LONG BARREL

Material : Copper BS : 1977

Finish : Electro Tinned

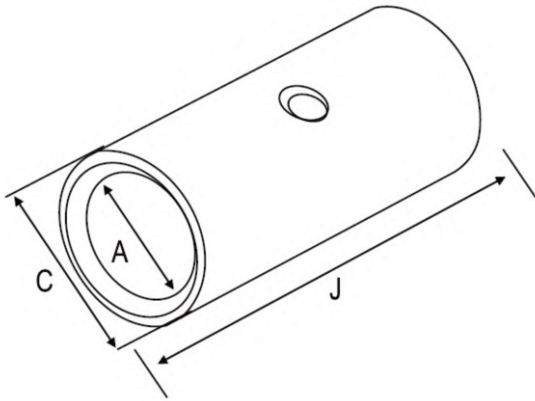


Size Sq.mm	Dimensions						Code No
	E	A	C	D	B	J	
25	8.2	6.8	8.8	13	16	41	JCT-82
35	8.2	8.2	10.6	15	20	48	JCT-83
50	8.2	9.5	12.4	17	26	59	JCT-84
70	10.5	11.2	14.7	20	28	66	JCT-85
95	12.7	13.5	17.4	24	32	74	JCT-86
120	12.7	15	19.4	28	35	82	JCT-87
150	12.7	16.5	21.2	30	38	86	JCT-88
185	12.7	18.5	23.5	34	43	95	JCT-89
240	16.2	21	26.5	38	50	120	JCT-90
300	16.2	23.5	30	43	55	112	JCT-91
400	20.3	26.8	34.8	50	58	135	JCT-92
500	21	30	39	56	70	150	JCT-93
630	21	35	45	65	76	165	JCT-94
800		39	50.5	73	105	200	JCT-95
1000		43	53.7	81	130	240	JCT-96

COPPER TUBE IN-LINE CONNECTORS - COPPER FERRULES - HEAVY DUTY

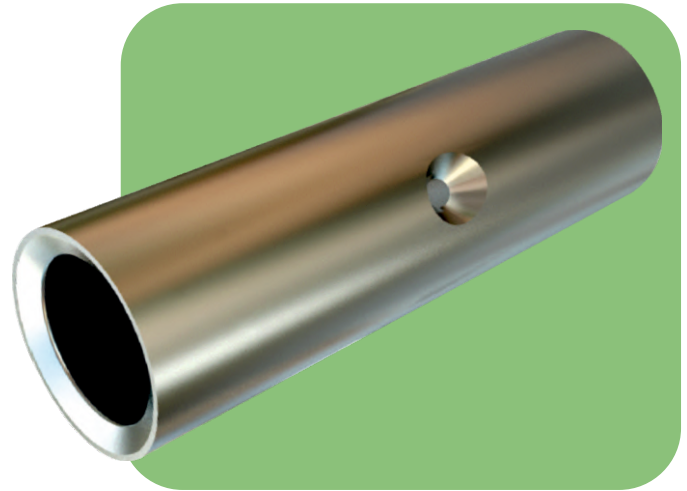
Material : Copper BS : 1977

Finish : Electro Tinned



(Short Barrel)

Size Sq.mm	Dimensions			Code No
	d1	d3	J	
1.5	1.6	3.2	15.0	JILC-453
2.5	2.4	4.0	15.0	JILC-454
4	3.1	4.8	15.0	JILC-3
6	3.8	5.5	15.0	JILC-4
10	4.5	6.2	20.0	JILC-460
16	5.4	7.1	20.0	JILC-6
25	6.8	8.8	32.0	JILC-24
35	8.2	10.6	36.0	JILC-25
50	9.5	12.4	40.0	JILC-26
70	11.2	14.7	40.0	JILC-51
95	13.5	17.4	45.0	JILC-52
120	15.0	19.4	45.0	JILC-53
150	16.5	21.2	55.0	JILC-54
185	18.5	23.5	65.0	JILC-55
240	21.0	26.8	80.0	JILC-56
300	23.5	30.0	85.0	JILC-57
400	26.8	34.8	90.0	JILC-58
500	30.0	39.0	100.0	JILC-59
630	35.0	45.0	110.0	JILC-61
800	39.0	50.6	150.0	JILC-62
1000	43.0	56.2	170.0	JILC-63



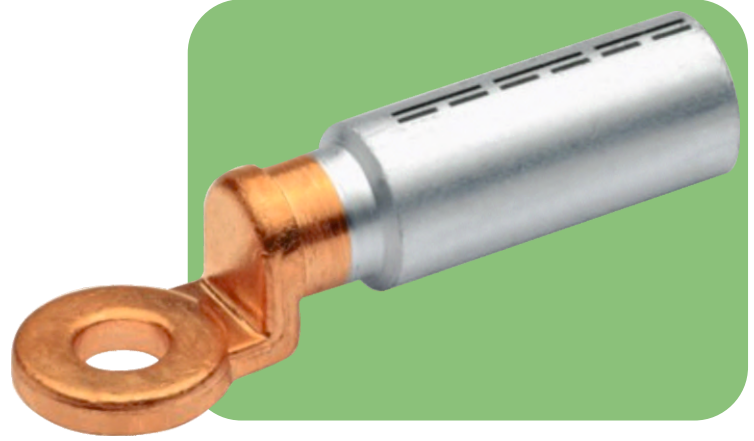
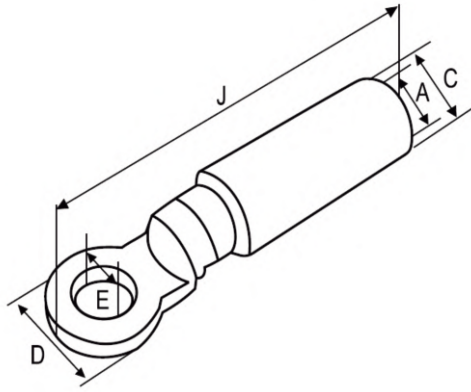
(Long Barrel)

Size Sq.mm	Dimensions			Code No
	d1	d3	J	
1.5	1.6	3.2	22.0	JILC-41
2.5	2.4	4.0	22.0	JILC-42
4	3.1	4.8	22.0	JILC-43
6	3.8	5.5	22.0	JILC-44
10	4.5	6.2	22.0	JILC-45
16	5.43	7.1	35.0	JILC-46
25	6.8	8.8	47.0	JILC-47
35	8.2	10.6	45.0	JILC-48
50	9.5	12.4	50.0	JILC-49
70	11.2	14.7	50.0	JILC-27
95	13.5	17.4	60.0	JILC-28
120	15.0	19.4	65.0	JILC-29
150	16.5	21.2	70.0	JILC-30
185	18.5	23.5	75.0	JILC-31
240	21.0	26.8	89.0	JILC-32
300	23.5	30.0	95.0	JILC-33
400	26.8	34.8	110.0	JILC-34
500	30.0	39.0	117.0	JILC-35
630	35.0	45.0	120.0	JILC-36

BIMETALLIC LUGS - FRICTION WELDED

Material : Aluminium 99.5, E Copper

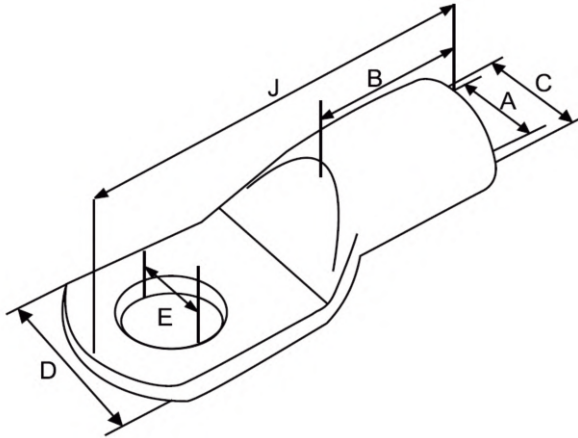
Surface : Bright



Size Sq.mm	Dimensions						Code No
	E	A	C	D	B	J	
16	10.5	5.5	16	24	42	90	JBMT-16-10
	13	5.5	16	24	42	90	JBMT-16-12
25	10.5	6.5	16	24	42	90	JBMT-25-10
	13	6.5	16	24	42	90	JBMT-25-12
35	10.5	8	16	24	42	90	JBMT-35-10
	13	8	16	24	42	90	JBMT-35-12
50	10.5	9.5	20	24	43	92	JBMT-50-10
	13	9.5	20	24	43	92	JBMT-50-12
70	13	11.5	20	24	43	92	JBMT-70-10
	13	11.5	20	24	43	92	JBMT-70-12
95	13	13.5	20	24	43	92	JBMT-95-12
120	17	15	25	30	60	117	JBMT-120-12
150	13	16.5	25	30	60	117	JBMT-150-12
	17	16.5	25	30	60	117	JBMT-150-16
185	13	18.5	32	35	60	124	JBMT-185-12
	17	18.5	32	35	60	124	JBMT-185-16
240	13	21	32	35	60	124	JBMT-240-12
	17	21	32	35	60	124	JBMT-240-16
300	13	22.5	34	36	62	130	JBMT-300-12
	17	22.5	34	36	62	130	JBMT-300-16
400	13	27	40	36	80	152	JBMT-400-12
	17	27	40	36	80	152	JBMT-400-16
500	13	30	40	36	80	152	JBMT-500-12
630	13	34	46	36	70	146	JBMT-630-12
	21	34	46	36	70	146	JBMT-630-20
800	13	39	54	50	115	230	JBMT-800-12
1000	13	43	58	50	115	230	JBMT-1000-12

ALUMINIUM LUGS - SHORT BARREL

Material : Aluminium IS: 5082: 1981

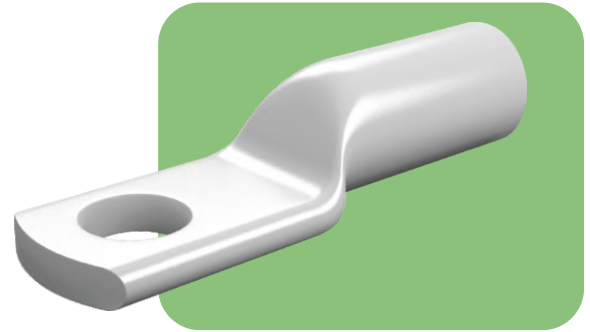
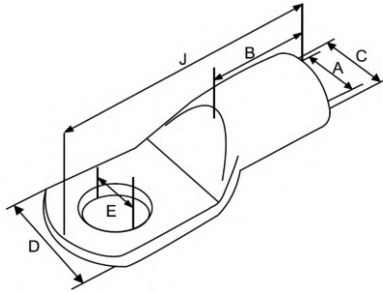


Size Sq.mm	Dimensions						Code No
	E	A	C	D	B	J	
2.5	3.2	2.0	5.5	7	7	18	JAT-151
	3.7	2.6	5.5	7	7	18	JAT-309
4	4.2	2.9	5.5	7	7	18	JAT-155
	5.2	2.9	5.5	9	7	24	JAT-317
6	5.2	3.5	5.5	8	7	24	JAT-158
	6.4	3.5	5.5	11	7	24	JAT-313
10	6.4	4.4	7.4	11	9	30	JAT-214
	8.2	4.4	7.4	13	9	30	JAT-215
16	6.4	5.4	8.3	11	13	37	JAT-252
	8.2	5.4	8.3	12	13	37	JAT-216
	10.2	5.4	8.3	15	13	37	JAT-217
25	6.4	7.0	9.7	14	16	44	JAT-253
	8.2	7.0	9.7	14	16	44	JAT-218
	10.2	7.0	9.7	17	16	44	JAT-219
	12.7	7.0	9.7	18	16	44	JAT-220
35	6.4	8.0	10.8	15	18	47	JAT-254
	8.2	8.0	10.8	15	18	47	JAT-221
	10.2	8.0	10.8	17	18	47	JAT-222
50	8.2	9.3	13	18	22	54	JAT-255
	10.2	9.3	13	18	22	54	JAT-312
	12.7	9.3	13	18	22	54	JAT-224
70	8.2	11.1	15.4	22	26	60	JAT-256
	10.2	11.1	15.4	22	26	60	JAT-225
	12.7	11.1	15.4	22	26	60	JAT-226

Size Sq.mm	Dimensions						Code No
	E	A	C	D	B	J	
95	10.2	13.5	17.3	25	28	64	JAT-227
	12.7	13.5	17.3	25	28	64	JAT-228
	16.2	13.5	17.3	25	28	64	JAT-229
120	10.2	14.8	19.6	28	32	73	JAT-257
	12.7	14.8	19.6	28	32	73	JAT-230
	16.2	14.8	19.6	28	32	73	JAT-231
150	10.2	16.6	21.4	31	34	79	JAT-258
	12.7	16.6	21.4	31	34	79	JAT-232
	16.2	16.6	21.4	31	34	79	JAT-233
185	10.2	18.5	24	34	36	84	JAT-311
	12.7	18.5	24	34	36	84	JAT-234
	16.2	18.5	24	34	36	84	JAT-235
225	12.7	20.6	27	39	40	94	JAT-320
240	12.7	22	28	40	44	102	JAT-236
	16.2	22	28	40	44	102	JAT-237
	20.3	22	28	40	44	102	JAT-238
300	16.2	24	31	44.7	47	115	JAT-300
	20.3	24	31	44.7	47	115	JAT-259
400	20.3	26.8	35.5	51	56	130	JAT-260
500	20.3	30.2	41	58	60	140	JAT-296
630	20.3	35	46	66	69	154	JAT-261
800	-	39	51	73	77	180	JAT-318
1000	-	43.5	57	81	100	220	JAT-319

ALUMINIUM LUGS - LONG BARREL

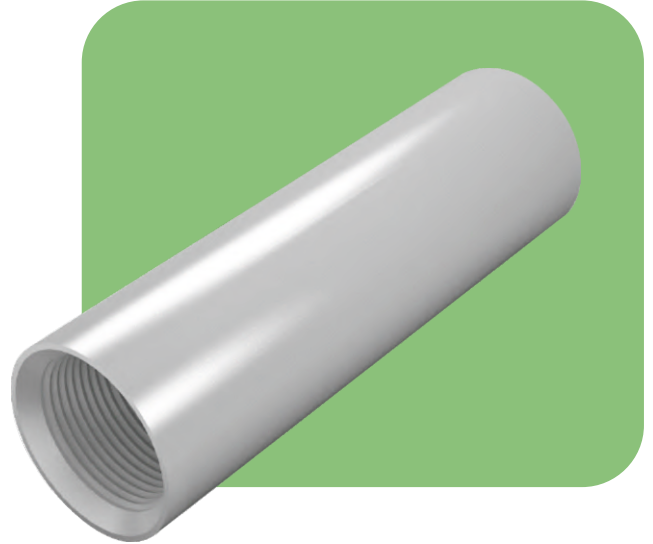
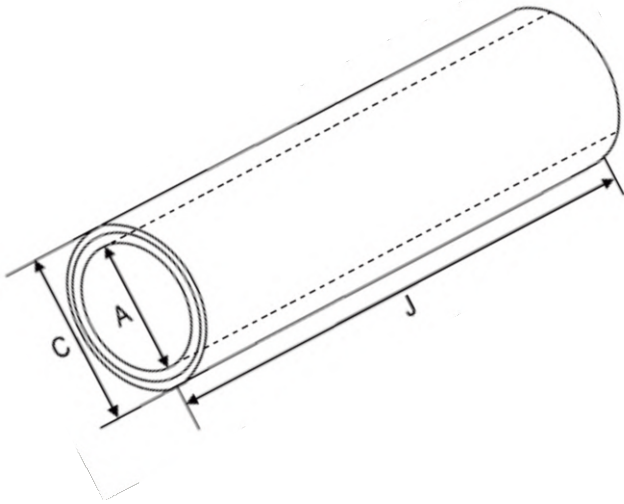
Material : Aluminium IS: 5082: 1981



Size Sq.mm	Dimensions						Code No
	E	A	C	D	B	J	
2.5	3.2	2.0	5.5	7	10	21	JAT-551
	3.7	2.6	5.5	7	10	21	JAT-509
4	4.2	2.9	5.5	7	10	21	JAT-555
	5.2	2.9	5.5	9	10	27	JAT-617
6	5.2	3.5	5.5	8	10	27	JAT-558
	6.4	3.5	5.5	11	10	27	JAT-513
10	6.4	4.4	7.4	11	13	34	JAT-514
	8.2	4.4	7.4	13	13	34	JAT-515
16	6.4	5.4	8.3	11	20	44	JAT-552
	8.2	5.4	8.3	12	20	44	JAT-516
	10.2	5.4	8.3	15	20	44	JAT-517
25	8.2	7.0	9.7	14	24	52	JAT-518
	10.2	7.0	9.7	17	24	52	JAT-519
	12.7	7.0	9.7	18	24	52	JAT-520
35	8.2	8.0	10.8	15	27	56	JAT-521
	10.2	8.0	10.8	17	27	56	JAT-522
50	8.2	9.3	13	18	33	65	JAT-655
	10.2	9.3	13	18	33	65	JAT-512
	12.7	9.3	13	18	33	65	JAT-524
70	8.2	11.1	15.4	22	39	73	JAT-556
	10.2	11.1	15.4	22	39	73	JAT-525
	12.7	11.1	15.4	22	39	73	JAT-526
95	10.2	13.5	17.3	25	42	78	JAT-527
	12.7	13.5	17.3	25	42	78	JAT-528
	16.2	13.5	17.3	25	42	78	JAT-529
120	10.2	14.8	19.6	28	48	89	JAT-557
	12.7	14.8	19.6	28	48	89	JAT-530
	16.2	14.8	19.6	28	48	89	JAT-531
150	10.2	16.6	21.4	31	51	96	JAT-658
	12.7	16.6	21.4	31	51	96	JAT-532
	16.2	16.6	21.4	31	51	96	JAT-533
185	10.2	18.5	24	34	54	102	JAT-511
	12.7	18.5	24	34	54	102	JAT-534
	16.2	18.5	24	34	54	102	JAT-535
225	12.7	20.6	27	39	60	114	JAT-620
240	12.7	22	28	40	66	124	JAT-536
	16.2	22	28	40	66	124	JAT-537
300	16.2	24	31	44.7	70	138	JAT-500
	20.3	24	31	44.7	70	138	JAT-559
400	20.3	26.8	35.5	51	84	158	JAT-560
500	20.3	30.2	41	58	90	170	JAT-596
630	20.3	35	46	66	104	188	JAT-561
800	-	39	51	73	115	218	JAT-618
1000	-	43.5	57	81	150	270	JAT-619

ALUMINIUM CONNECTORS

Material: Aluminium IS :5082 :1981

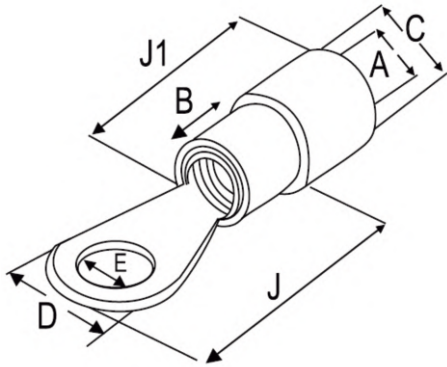


Size Sq.mm	Dimensions			Code No
	A	C	J	
2.5	2.0	5.5	16	JILA-145
	2.6	5.5	16	JILA-6
4	2.9	5.5	16	JILA-5
6	3.5	5.5	16	JILA-13
10	4.4	7.4	20	JILA-14
	3.8	6.2	20	JILA-146
16	5.4	8.3	26	JILA-4
25	7.0	9.7	35	JILA-3
35	8.0	10.8	40	JILA-2
50	9.3	13	45	JILA-12
70	11.1	15.4	55	JILA-1
95	13.5	17.3	60	JILA-15
120	14.8	19.6	65	JILA-9
150	16.6	21.4	70	JILA-10
185	18.5	24	75	JILA-11
225	20.6	27	85	JILA-147
240	22.0	28	90	JILA-16
300	24.0	31	100	JILA-17
400	26.8	35.5	115	JILA-18
500	30.2	41	125	JILA-19
630	35.0	46	140	JILA-20
800	39.0	51	160	JILA-148
1000	43.5	57	210	JILA-149

COPPER CRIMPING RING TERMINALS (NON INSULATED AND INSULATED)

Material : Copper BS : 1977

Finish : Electro Tinned



■ 1.5
 ■ 2.5
 ■ 4.6

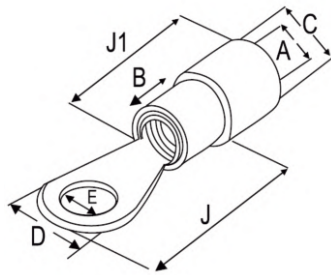
COPPER CRIMPING RING TERMINALS (NON INSULATED AND INSULATED)

Size Sq.mm	Dimensions						Code No	J - 1	Code No	A - 1	J - 1	Code No
	E	A	C	D	B	J						
0.5 - 1	4.2	1.4	2.6	8.0	5	16.0	JR - 0	8	JRI - 0			
1.5	2.2	1.6	3.2	6.0	5	14.0	JR - 103	10	JRI - 052	3.6	10	JRD - 435
	2.6	1.6	3.2	6.0	5	14.0	JR - 000	10	JRI - 053	3.6	10	JRD - 436
	3.2	1.6	3.2	6.0	5	14.0	JR - 001	10	JRI - 054	3.6	10	JRD - 437
	3.7	1.6	3.2	6.0	5	14.0	JR - 002	10	JRI - 055	3.6	10	JRD - 438
	4.2	1.6	3.2	6.0	5	14.0	JR - 003	10	JRI - 056	3.6	10	JRD - 439
	3.2	1.6	3.2	6.8	5	13.0	JR - 153	10	JRI - 057	3.6	10	JRD - 440
	3.7	1.6	3.2	6.8	5	13.0	JR - 048	10	JRI - 058	3.6	10	JRD - 441
	4.2	1.6	3.2	6.8	5	13.0	JR - 049	10	JRI - 059	3.6	10	JRD - 442
	3.2	1.6	3.2	8.0	5	16.0	JR - 104	10	JRI - 060	3.6	10	JRD - 443
	4.2	1.6	3.2	8.0	5	16.0	JR - 004	10	JRI - 061	3.6	10	JRD - 444
	5.2	1.6	3.2	8.0	5	16.0	JR - 005	10	JRI - 062	3.6	10	JRD - 445
	4.2	1.6	3.2	7.0	5	14.5	JR - 154	10	JRI - 063	3.6	10	JRD - 446
	4.2	1.6	3.2	10.0	5	18.0	JR - 105	10	JRI - 064	3.6	10	JRD - 447
	5.2	1.6	3.2	10.0	5	18.0	JR - 006	10	JRI - 065	3.6	10	JRD - 448
	6.4	1.6	3.2	10.0	5	18.0	JR - 007	10	JRI - 066	3.6	10	JRD - 449
	6.4	1.6	3.2	12.0	5	18.0	JR - 106	10	JRI - 067	3.6	10	JRD - 450

COPPER CRIMPING RING TERMINALS (NON INSULATED AND INSULATED)

Material : Copper BS : 1977

Finish : Electro Tinned

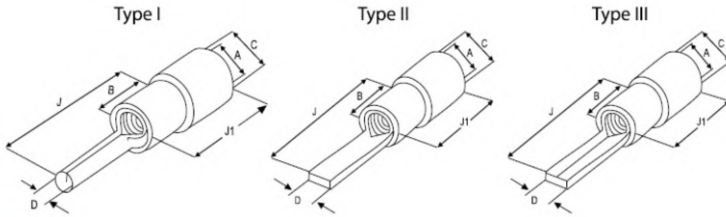
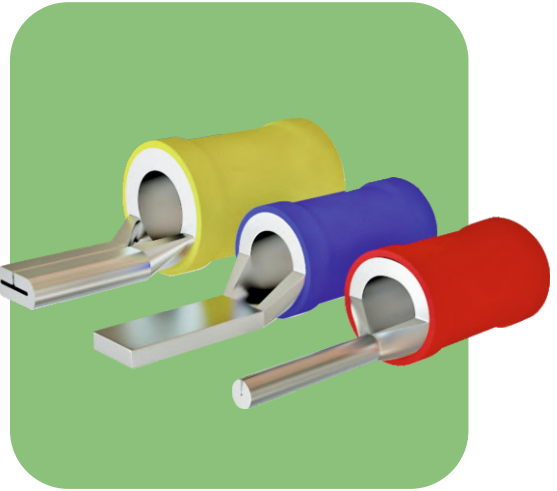


Size Sq.mm	Dimensions						Code No	J - 1	Code No	A - 1	J - 1	Code No
	E	A	C	D	B	J						
2.5	3.2	2.3	3.9	6.5	5	12.7	JR - 107	10	JRI - 068	4.4	10	JRD - 451
	3.7	2.3	3.9	6.5	5	12.7	JR - 008	10	JRI - 069	4.4	10	JRD - 452
	3.7	2.3	3.9	8.0	5	16.0	JR - 108	10	JRI - 070	4.4	10	JRD - 453
	4.2	2.3	3.9	8.0	5	16.0	JR - 009	10	JRI - 071	4.4	10	JRD - 454
	5.2	2.3	3.9	8.0	5	16.0	JR - 010	10	JRI - 072	4.4	10	JRD - 455
	5.2	2.3	3.9	10.0	5	18.0	JR - 109	10	JRI - 073	4.4	10	JRD - 456
	6.4	2.3	3.9	10.0	5	18.0	JR - 011	10	JRI - 074	4.4	10	JRD - 457
	5.2	2.3	3.9	12.0	5	22.0	JR - 110	10	JRI - 075	4.4	10	JRD - 458
	6.4	2.3	3.9	12.0	5	22.0	JR - 012	10	JRI - 076	4.4	10	JRD - 459
	8.2	2.3	3.9	12.0	5	22.0	JR - 013	10	JRI - 077	4.4	10	JRD - 460
	6.4	2.3	3.9	16.0	5	25.0	JR - 111	10	JRI - 078	4.4	10	JRD - 461
	8.2	2.3	3.9	16.0	5	25.0	JR - 014	10	JRI - 079	4.4	10	JRD - 462
	10.2	2.3	3.9	16.0	5	25.0	JR - 015	10	JRI - 080	4.4	10	JRD - 463
	10.2	2.3	3.9	18.0	5	29.0	JR - 151	10	JRI - 081	4.4	10	JRD - 464
12.7	2.3	3.9	18.0	5	29.0	JR - 047	10	JRI - 082	4.4	10	JRD - 465	
4-6	4.2	3.5	5.5	8.0	6	17.0	JR - 155	14	JRI - 083	6.4	15	JRD - 466
	5.2	3.5	5.5	8.0	6	17.0	JR - 050	14	JRI - 084	6.4	15	JRD - 467
	4.2	3.5	5.5	10.0	6	19.0	JR - 112	14	JRI - 085	6.4	15	JRD - 468
	5.2	3.5	5.5	10.0	6	19.0	JR - 016	14	JRI - 086	6.4	15	JRD - 469
	5.2	3.5	5.5	8.0	6	22.0	JR - 157	14	JRI - 087	6.4	15	JRD - 470
	5.2	3.5	5.5	12.0	6	20.0	JR - 113	14	JRI - 088	6.4	15	JRD - 471
	6.4	3.5	5.5	12.0	6	20.0	JR - 017	14	JRI - 089	6.4	15	JRD - 472
	8.2	3.5	5.5	12.0	6	20.0	JR - 018	14	JRI - 090	6.4	15	JRD - 473
	5.2	3.5	5.5	12.0	6	22.0	JR - 114	14	JRI - 091	6.4	15	JRD - 474
	6.4	3.5	5.5	12.0	6	22.0	JR - 019	14	JRI - 092	6.4	15	JRD - 475
	6.4	3.5	5.5	14.0	6	25.5	JR - 115	14	JRI - 093	6.4	15	JRD - 476
	8.2	3.5	5.5	14.0	6	25.5	JR - 020	14	JRI - 094	6.4	15	JRD - 477
	9.7	3.5	5.5	14.0	6	25.5	JR - 021	14	JRI - 095	6.4	15	JRD - 478
	8.2	3.5	5.5	16.0	6	30.0	JR - 116	14	JRI - 096	6.4	15	JRD - 479
10.2	3.5	5.5	16.0	6	30.0	JR - 022	14	JRI - 097	6.4	15	JRD - 480	
8.2	3.5	5.5	18.0	6	30.0	JR - 117	14	JRI - 098	6.4	15	JRD - 481	
10.2	3.5	5.5	18.0	6	30.0	JR - 023	14	JRI - 099	6.4	15	JRD - 482	
12.7	3.5	5.5	18.0	6	30.0	JR - 024	14	JRI - 100	6.4	15	JRD - 483	
10	4.2	4.3	6.3	10.0	8	22.0	JR - 118	16	JRI - 389	6.8	17	JRD - 484
	8.2	4.3	6.3	18.0	8	22.0	JR - 025	16	JRI - 395	6.8	17	JRD - 485

COPPER CRIMPING PIN TERMINALS (NON-INSULATED AND INSULATED)

Material : Copper BS : 1977

Finish : Electro Tinned



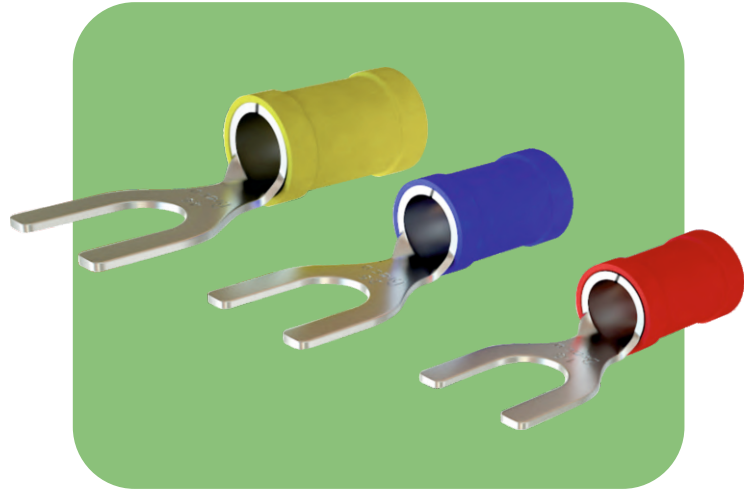
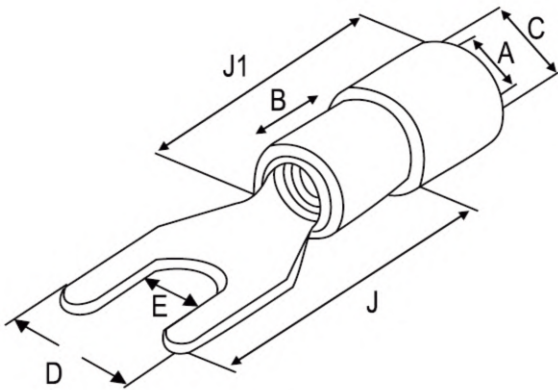
■ 1.5
 ■ 2.5
 ■ 4.6

Size Sq.mm	Dimensions					TYPE	Code No	J - 1	Code No	A - 1	J - 1	Code No
	A	C	D	B	J							
0.5-1	1.4	2.6	1.6	5	17	I	JP - 0	10	JP - 0	-	-	-
1.5	1.6	3.2	1.9	5	17	I	JP - 9	10	JPI - 17	3.6	10	JPD - 26
	1.6	3.2	3.1	5	17	II	JP - 35	10	JPI - 40	3.6	10	JPD - 42
2.5	2.3	3.9	1.9	5	17	I	JP - 1	10	JPI - 18	4.4	10	JPD - 27
	2.3	3.9	3.1	5	17	II	JP - 2	10	JPI - 19	4.4	10	JPD - 28
4	2.9	4.9	2.7	6	20	I	JP - 3	14	JPI - 20	6.4	15	JPD - 29
	3.6	5.6	5.1	6	20	II	JP - 4	14	JPI - 21	6.4	15	JPD - 30
6	3.6	5.6	2.7	6	20	I	JP - 5	14	JPI - 22	6.4	15	JPD - 31
	4.0	6.0	2.7	6	20	II	JP - 6	14	JPI - 23	6.4	15	JPD - 32
10	4.5	6.7	4.3	8	22	III	JP - 7	16	JPI - 24	-	-	-
16	5.8	8.2	5.5	10	26	III	JP - 8	20	JPI - 25	-	-	-
25	7.5	11.1	7.0	11	31	III	JP - 86	-	-	-	-	-
35	9.0	12.6	8.0	12	37	III	JP - 87	-	-	-	-	-
50	10.5	14.1	9.0	16	42	III	JP - 88	-	-	-	-	-
70	12.0	16.0	10.0	18	45	III	JP - 94	-	-	-	-	-
95	13.8	18.7	11.0	21	52	III	JP - 95	-	-	-	-	-

COPPER CRIMPING FORK TERMINALS (NON-INSULATED AND INSULATED)

Material : Copper BS : 1977

Finish : Electro Tinned



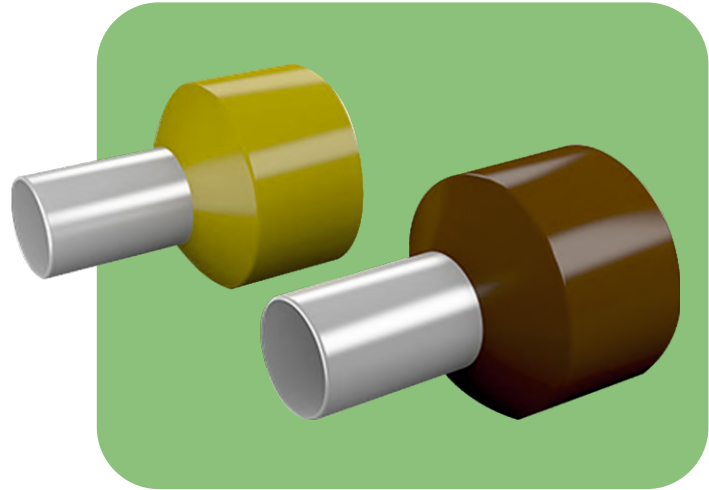
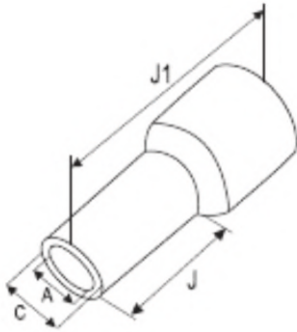
■ 1.5
 ■ 2.5
 ■ 4.6

Size Sq.mm	Dimensions						Code No	J - 1	Code No	A - 1	J - 1	Code No
	E	A	C	D	B	J						
0.5 - 1	3.5	1.4	2.6	6.6	5	14	JF - 0	10	JFI - 0			
1.5	5.1	1.6	3.2	8.0	5	21	JF - 214	10	JFI - 925	3.6	10	JFD - 934
	3.5	1.6	3.2	6.8	4	13	JF - 249	10	JFI - 926	3.6	10	JFD - 935
	3.0	2.0	2.8	6.2	5	13	JF - 250	10	JFI - 927	3.6	10	JFD - 936
2.5	3.5	2.3	3.9	6.5	5	15	JF - 251	10	JFI - 928	4.4	10	JFD - 937
	5.0	2.6	4.6	10.6	6.2	21	JF - 280	10	JFI - 929	5.1	10	JFD - 938
4-6	3.1	3.5	5.5	6.0	6	15	JF - 252	14	JFI - 930	6.4	15	JFD - 939
	3.5	3.5	5.5	6.0	6	15	JF - 253	14	JFI - 931	6.4	15	JFD - 940
10	6.5	4.5	6.9	16.0	8	27	JF - 254	16	JFI - 932	7.4	17	JFD - 941
	8.2	4.5	6.9	16.0	8	27	JF - 255	16	JFI - 933	7.4	17	JFD - 942

COPPER CRIMPING END SEALING INSULATED FERRULES (BOOTLACE)

Material : Copper BS : 1977

Finish : Electro Tinned

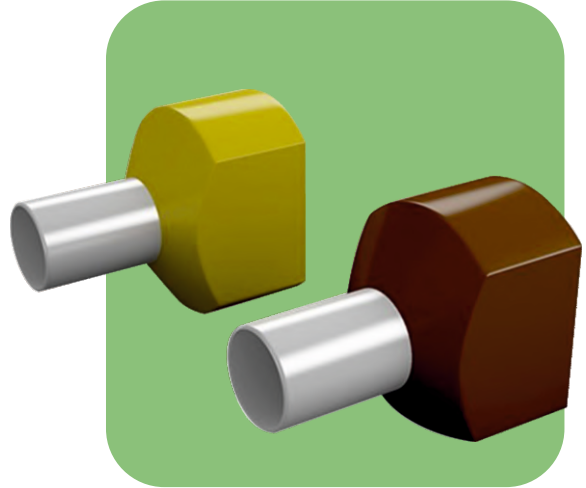
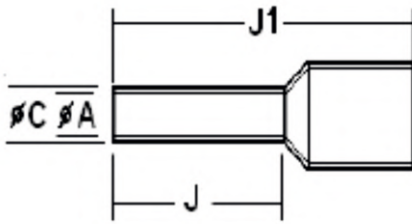


Size Sq.mm	Dimensions			J-1	Code No	Available Colours
	A	C	J			
0.5	1	1.4	8	12	ESI-0.5-8	Red / Yellow / Dark Blue / Black
0.75	1.4	1.8	8	12	ESI-0.75-8	Red / Grey / Yellow / Black / Skyblue
1	1.6	2	8	12	ESI-1-8	
	1.6	2	10	16	ESI-1-10	Yellow
1.5	1.8	2.2	8	14	ESI-1.5-8	
	1.8	2.2	10	16	ESI-1.5-10	Red
	1.8	2.2	12	18	ESI-1.5-12	
2.5	2.3	2.7	8	14	ESI-2.5-8	
	2.3	2.7	10	16	ESI-2.5-10	Blue
	2.3	2.7	12	18	ESI-2.5-12	
4	2.8	3.2	8	16	ESI-4-8	
	2.8	3.2	10	18	ESI-4-10	
	2.8	3.2	12	20	ESI-4-12	Grey
6	3.7	4.1	10	18	ESI-6-10	
	3.7	4.1	12	20	ESI-6-12	Black
	3.7	4.1	16	24	ESI-6-16	
10	4.6	5	12	22	ESI-10-12	Ivory
	4.6	5	16	26	ESI-10-16	
16	5.9	6.3	12	22	ESI-16-12	Blue
	5.9	6.3	16	26	ESI-16-16	
25	7.5	7.9	16	29	ESI-25-16	Orange
35	8	8.7	16	29	ESI-35-16	Red
50	9.7	10.3	20	36	ESI-50-20	

COPPER CRIMPING END SEALING FERRULES - FOR TWIN CABLE (BOOTLACE)

Material : Copper BS : 1977

Finish : Electro Tinned



Size Sq.mm	Dimensions			J-1	W	Code No	Available Colours
	A	C	J				
0.5	1.5	1.8	8	15	4.7	ESIT-0.5-8	
0.75	1.5	2.1	8	15	5	ESIT-0.75-8	Black
1	2	2.3	8	15	5.4	ESIT-1-8	Red
	2	2.3	10	17	5.4	ESIT-1-10	
1.5	2.2	2.5	8	16	6.6	ESIT-1.5-8	Black
	2.2	2.5	10	16	6.6	ESIT-1.5-10	
	2.2	2.5	12	20	6.6	ESIT-1.5-12	
2.5	2.8	3.2	10	18.5	7.8	ESIT-2.5-10	Blue
	2.8	3.2	12	21.5	7.8	ESIT-2.5-12	
4	3.7	4.1	12	23	8.8	ESIT-4-12	Grey
6	4.8	5.2	12	26	10	ESIT-6-12	Yellow
10	6.4	6.8	12	26	13	ESIT-10-12	
16	8.3	8.9	12	30	18.4	ESIT-16-12	

PVC STRIP CONNECTORS



NAME:- 12 POLE TERMINAL STRIPS
INSULATION:- POLYETHYLENE
CONTACTS:- BRASS
SCREWS:- GALVANIZE SCREW
CONTINUOUS WORKING TEMP:- (MAX) 80° C

ART NO	SIZE	AMP
PTS6N	6 sqmm.	5A
PTS10N	10 sqmm.	15A
PTS16N	16 sqmm.	30A
PTS25N	25 sqmm.	50A

PRODUCT DESCRIPTION

- Rupam terminal strips are with 2 rows, 12 position screw and it is wire protector from 5A to 50A
- The internal conductive part adopts brass firmware and fastening galvanized screw

ADVANTAGES OF RUPAM TERMINAL STRIPS

- EASY to install.
- Screw secure wires reliable contact and help prevent accidental contact with the terminals.
- Effectively REDUCE FIRE RISK.
- CAN BE EASILY CUT with utility knife / scissors to your desired strips or to create your custom sections.
- PREVENTS CIRCUITS FROM DISORDER.

HOW TO USE

Simply Strip the wire, Insert it into the electrical terminal and tighten the set screw with out messing around with crimping or soldering

